



ETB & CTB

TALK - BACK SYSTEMS

vingtor STENTOFON

by ZENITEL GROUP

Vingtor-Stentofon products are developed by the Zenitel Group and includes a range of high quality communications equipment and systems. Being in business since 1901, Zenitel's products are recognized globally for offering high quality communications for both offshore and onshore installations. Primary system offering within the Vingtor-Stentofon portfolio are Public Address and Intercom. Zenitel and the company's global partner network, also integrate these systems with other security devices; including Radio, CCTV, Access Control and Alarm for a comprehensive security solution.

Vingtor-Stentofon is world-renowned for its extensive knowledge in the design, construction, installation and maintenance of integrated marine communication systems. Leveraging our long-term experience serving the maritime industry, we offer an impressive portfolio and provide cutting edge solutions to vessels worldwide under the brand name of Vingtor-Stentofon. The Vingtor-Stentofon brand underpins our reputation as a supplier of the most flexible, reliable and advanced communication systems available today.

MEETING YOUR REGULATORY REQUIREMENTS

All Vingtor-Stentofon products that form a part of critical communication have been tested according to IEC 60945, IEC 60533 standards, and comply with SOLAS regulations and codes relevant to on-board communication systems. Our systems are delivered in accordance with the rules of all major classification societies.

FOR ALL YOUR SALES & AFTER SERVICE REQUIREMENTS

Vingtor-Stentofon is a specialist provider of spare parts, repairs, maintenance contracts and refit solutions. Responsibility and availability are our guidelines and customer support and service a first priority.



2015



2013



2012



2011



2009



1952



1964



1975



1996



2001

ETB & ETB-100 TALK-BACK SYSTEMS	4
ETB CENTRAL UNITS	7
CTB & CTB-100 TALK-BACK SYSTEMS	8
CTB CENTRAL UNITS	11
MICROPHONES & ACCESSORIES	12
BRIDGEWING EQUIPMENT	13
SUBSTATIONS & ACCESSORIES	14
AMPLIFIERS	17

ETB & ETB-100

TALK-BACK SYSTEMS

The ETB-5 & ETB-10/ETB-10A is a Command Talk-Back system with 5 or 10 lines while the ETB-100/ETB-100A is a Command Talk-Back & Public Address system with 10 lines. The ETB-100A can also be used as an emergency Public Address system.

The system comprises a central unit and a comprehensive range of substations and other field equipment for use indoors, outdoors, and in noisy areas on marine vessels. Physical dimensions of the units are based on the Euro DIN standard and are integrated seamlessly into bridge solutions.

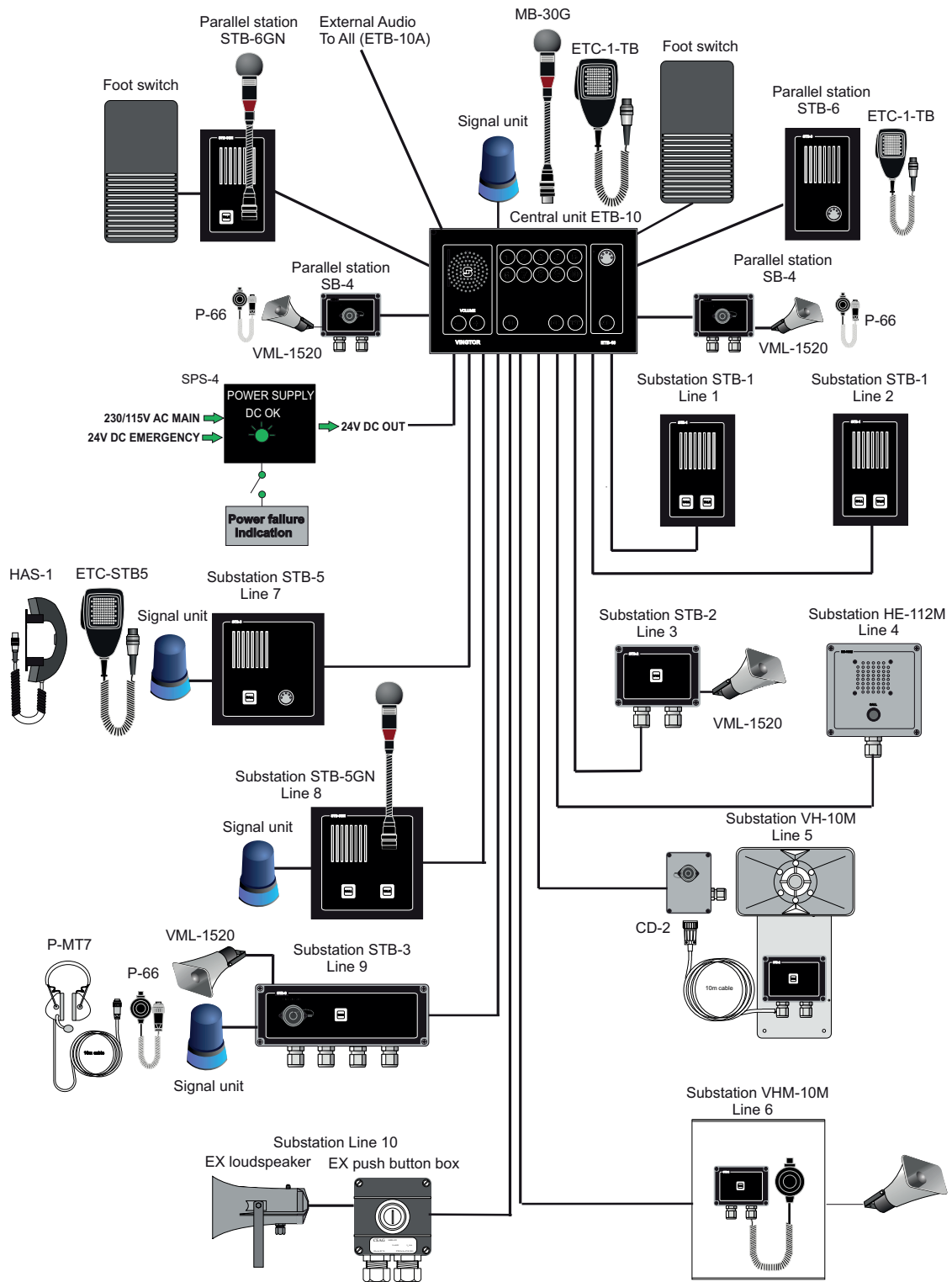
FEATURES

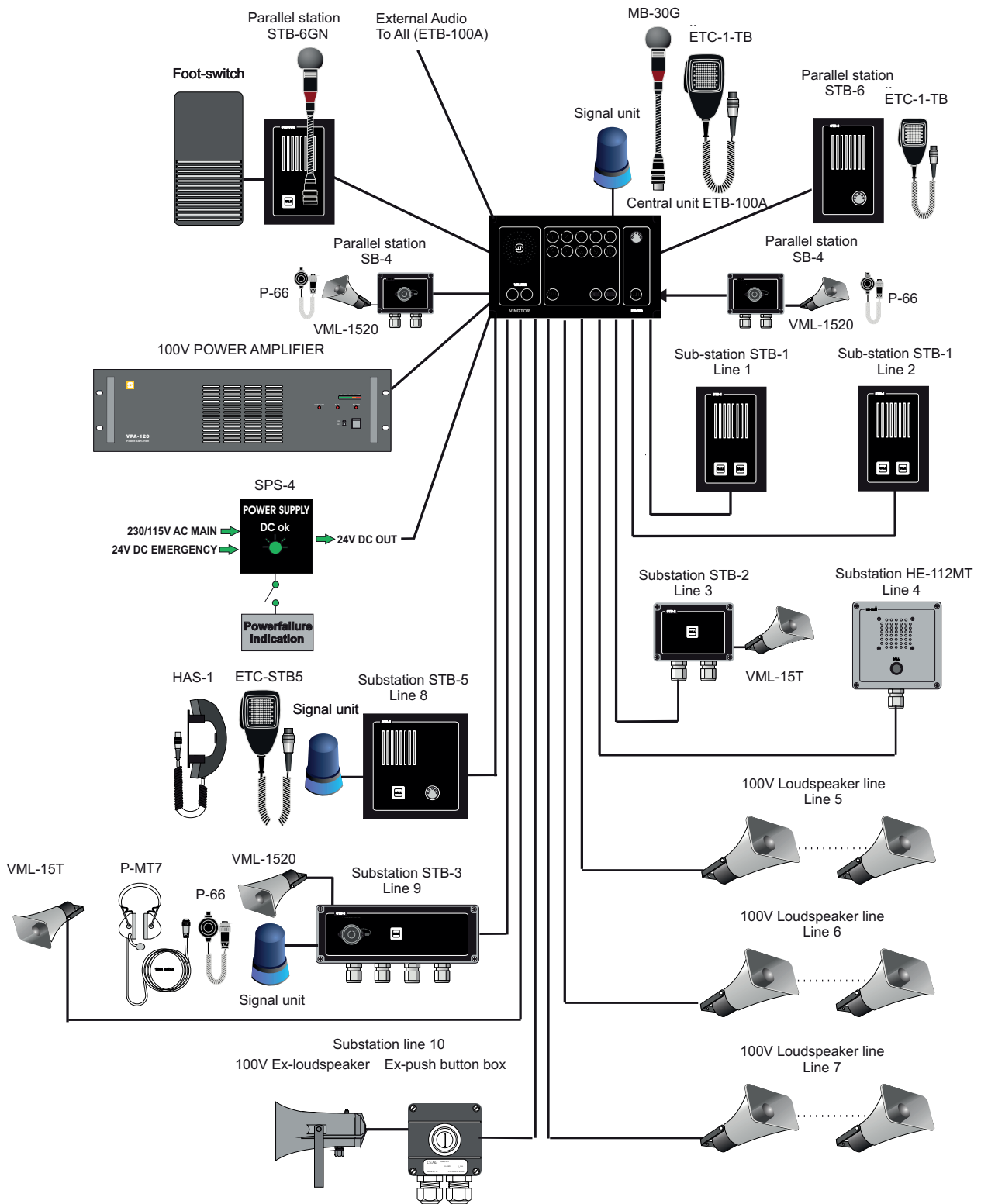
- Command Talk-Back
- Dimmable call light
- 5 or 10 line selection
- Step volume control
- All Call
- Output for extra signal device - all lines
- Handheld or gooseneck microphone
- Output for parallel microphone and loudspeaker
- Handsfree operation with foot switch
- Console or wall mounting
- Power: 22-32 VDC
- Audio input from external system (ETB-10A and ETB-100A)
- Public Address 100V line power amplifier (ETB-100/ETB-100A)

APPROVALS

The ETB systems are tested according to IEC 60945, and is type approved by DNV-GL, RMRS, CCS, RRR, PRS







ETB CENTRAL UNITS



3005020022

ETB-5 CENTRAL PANEL MOUNTED 5 LINES, 24V DC, 2A

- Master station with 5 lines selection
- All Call facility
- Monitor-speaker / microphone
- Connector for gooseneck or handheld microphone
- Dimmable memory light
- Line buttons with memory light
- Buzzer indication of incoming calls
- Step volume control
- Call signal
- Output for extra signal device all lines
- 24 VDC power supply



Size (WxHxD): 240 x 144 x 130mm
Weight: 1.6 kg

Additional Information: IP-22

3005020018

ETB-10 CENTRAL, PANEL MOUNTED, 10 LINES , 24V DC, 2A

- Master station with 10 lines selection
- All Call facility
- Monitor-speaker / microphone
- Connector for gooseneck or handheld microphone
- Dimmable memory light
- Line buttons with memory light
- Buzzer indication of incoming calls
- Step volume control
- Call signal
- Output for extra signal device all lines
- 24 VDC power supply



Size (WxHxD): 240 x 144 x 130mm
Weight: 1.6 kg

Additional Information: IP-22

3005020019

ETB-100 CENTRAL, PANEL MOUNTED, 10 LINES, 24V DC, 2A

- Master station with 10 lines selection
- 100V line output
- All Call facility
- Monitor-speaker / microphone
- Connector for gooseneck or handheld microphone
- Dimmable back light
- Buzzer indication of incoming calls
- Step volume control
- Call signal
- Output for extra signal device all lines
- 24V DC power supply



Size (WxHxD): 240 x 144 x 130mm
Weight: 1.8 kg

Additional Information: IP-22

3005020021

ETB-10A CENTRAL INCL. ALL- CALL 10 LINES PANEL MOUNTED, 24V DC, 2AMP

- Master station with 10 lines selection
- All Call facility
- Monitor-speaker / microphone
- Connector for gooseneck or handheld microphone
- Dimmable memory light
- Line buttons with memory light
- Buzzer indication of incoming calls
- Step volume control
- Call signal
- Output for extra signal device all lines
- 24 VDC power supply
- Audio input from external system



Size (WxHxD): 240 x 144 x 130mm
Weight: 1.6 kg

Additional Information: IP-22

3005020020

ETB-100A CENTRAL, INCL. ALL CALL, 10 LINES PANEL MOUNTED, 24V DC 2 AMP

- Master station with 10 lines selection
- 100V line output
- All Call facility
- Monitor-speaker / microphone
- Connector for gooseneck or handheld microphone
- Dimmable back light
- Buzzer indication of incoming calls
- Step volume control
- Call signal
- Output for extra signal device all lines
- 24V DC power supply
- Audio input from external system



Size (WxHxD): 240 x 144 x 130mm
Weight: 1.8 kg

Additional Information: IP-22

CTB & CTB-100

TALK-BACK SYSTEMS

The CTB & CTB-100 Talk-Back system is a command communication system based on one operator unit/panel and a wide range of substations for marine environments. The CTB-100 system supports public address using power amplifiers and 100V loudspeakers. The systems is typically used to coordinate activities in a work group – the main stations can hear all conversations.

The CTB & CTB-100 systems are based on one central unit, up to 4 main operator panels (the CTB-100 Talk-Back system includes loud-hailing and 100 V power amplifier in addition) and a wide range of substations made for marine environments. Operator panels are nominated as master or sub-master by settings in the CU central unit.

The CU central unit contains all electronic parts including the optional output amplifier, as well as terminals for termination of all field equipment.

The CTB operator panels have foil protected push buttons. The physical dimensions are based on the Euro DIN standard and are integrated seamlessly into bridge solutions. Both handheld and gooseneck microphones can be used via settings in the CU central unit.

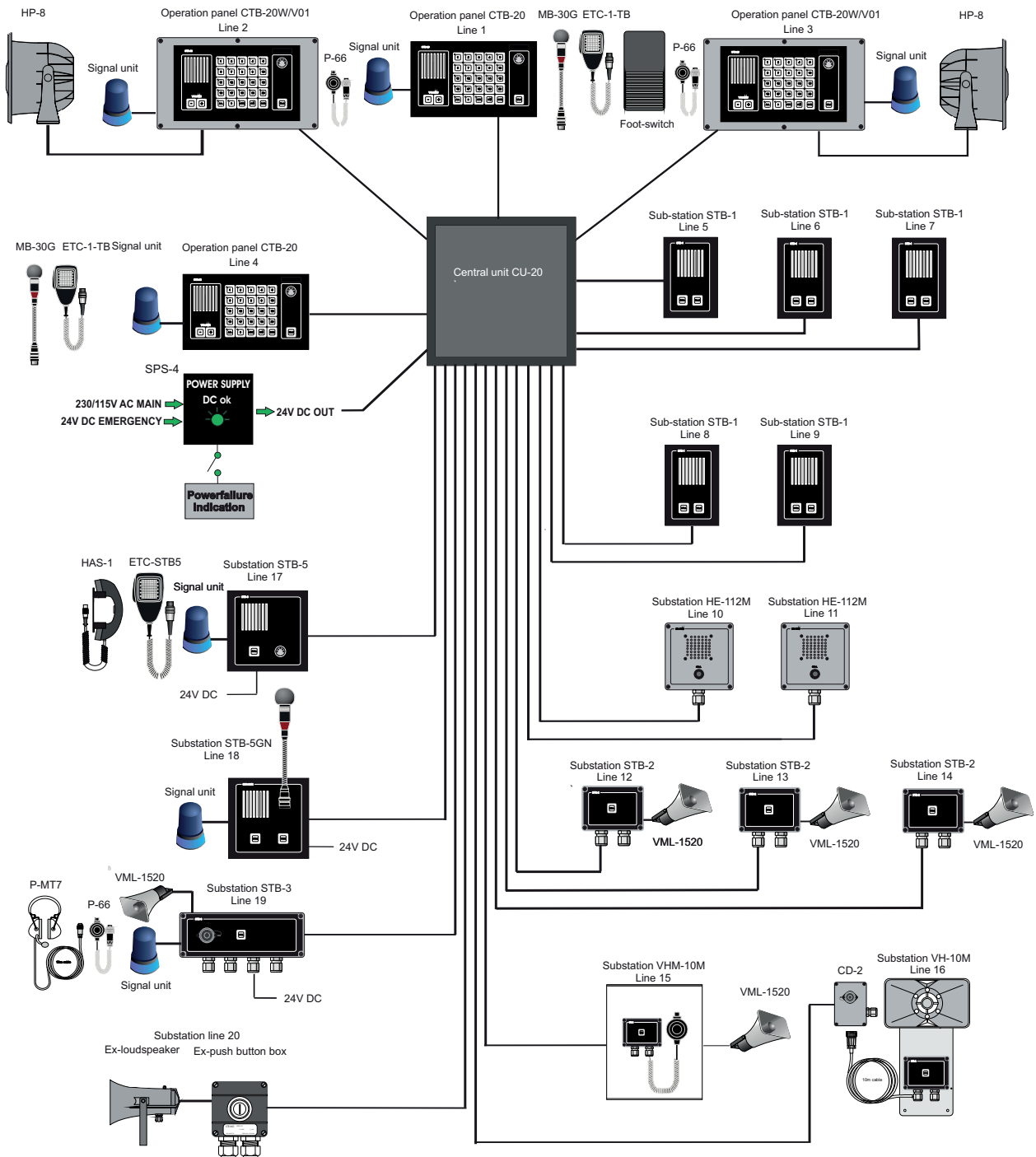
FEATURES

- Operator station with Direct Access Keys
- 10 or 20 lines direct selection
- Work group communication facility
- Extension buttons with memory light and buzzer
- indication of incoming calls
- Easy access volume control for operators
- Dimmable panel background light
- Easy integration with SPA-V2 for audio output and zone selection
- Integrated bridge solution with DIN norm for mounting

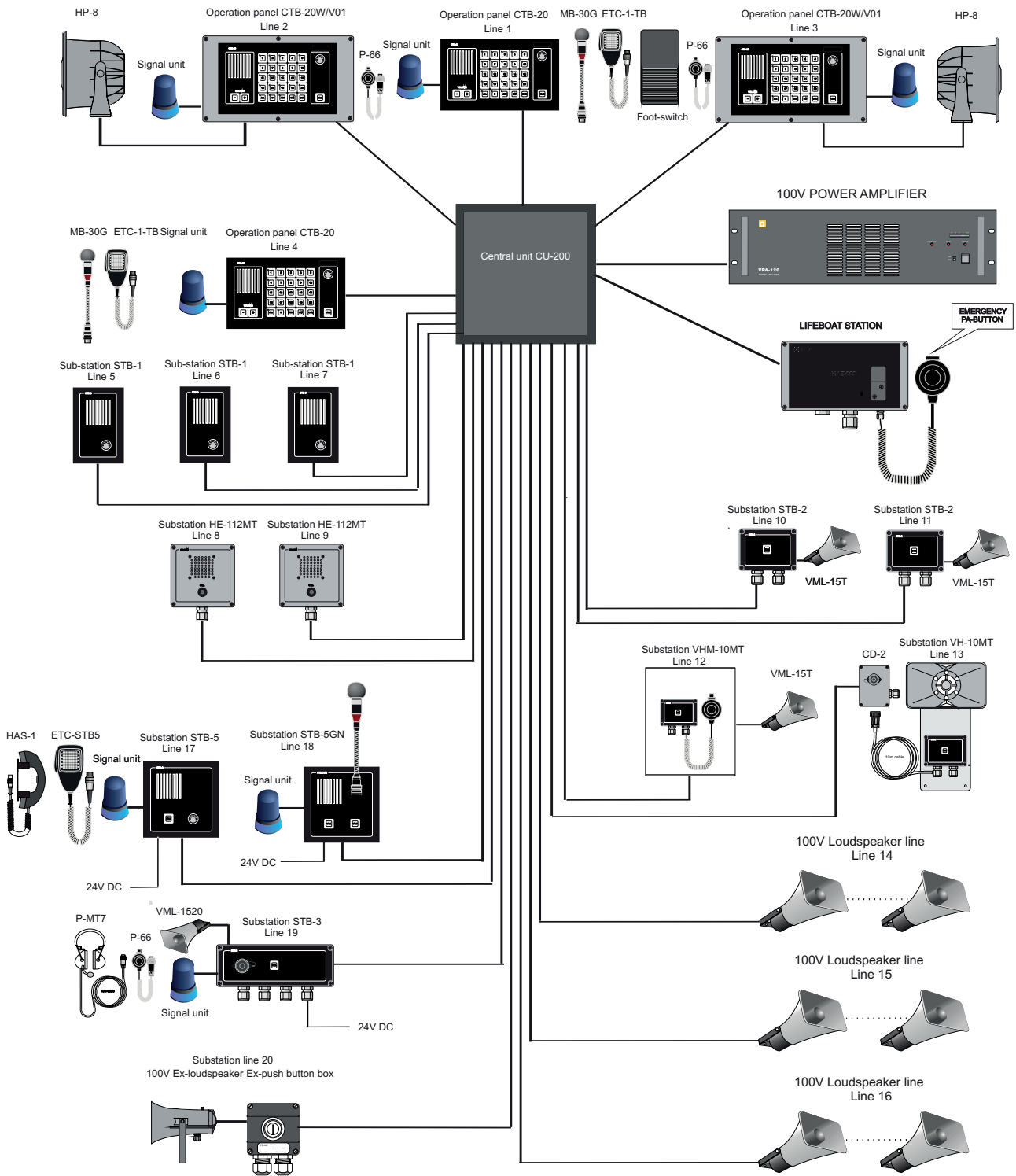
APPROVALS

The CTB systems are tested according to IEC 60945, and is type approved by DNV, RMRS, CCS, RRR & PRS





CTB-100



CTB CENTRAL UNITS



3005020001

CTB-10 CONTROL UNIT, PANEL MOUNTED, 10 LINES

- Operator panel CTB-10 with 10 lines selection
- Operates with CU-10 central unit
- Single call / Group Call / All Call facility
- Socket for gooseneck or handheld microphone
- Dimmable panel background light
- Extension buttons with on lightPerfect for Building Security and Public Environments
- Buzzer indication of incoming calls
- Step volume control
- Call signal
- Output for extra signal device all lines



Size (WxHxD): 240 x 144 x 100 mm
Weight: 1.2 kg

Additional Information: IP-22

3005020003

CTB-20 CONTROL UNIT, PANEL MOUNTED, 20 LINES

- Operator panel CTB-20 with 20 lines selection
- Operates with CU-20 or CU-200 central unit
- Single call / Group Call / All Call facility
- Socket for gooseneck or handheld microphone
- Dimmable panel background light
- Extension buttons with on lightPerfect for Building Security and Public Environments
- Buzzer indication of incoming calls
- Step volume control
- Call signal
- Output for extra signal device all lines



Size (WxHxD): 240 x 144 x 100 mm
Weight: 1.2 kg

Additional Information: IP-22

3005020002

CTB-10W/V01 CONTROL UNIT W/ HP-8, WALL MOUNTED WT

- Waterproof operator panel with 10 lines selection,
- With external loudspeaker HP-8
- Option, microphone P-66 and P-66/10
- Operates with CU-10 or CU-100 central unit
- Single call / Group Call / All Call facility
- Dimmable panel background light
- Line buttons with memory light
- Buzzer indication of incoming calls
- Step volume control
- Call signal
- Wall mounting



Size (WxHxD): 300 x 160 x 156 mm
Weight: 1.4 kg

Additional Information: IP-66

3005020005

CTB-20W/V01 CONTROL UNIT W/ HP-8, WALL MOUNTED WT

- Waterproof operator panel with 20 lines selection,
- With external loudspeaker HP-8
- Option, microphone P-66 and P-66/10
- Operates with CU-20 or CU-200 central unit
- Single call / Group Call / All Call facility
- Dimmable panel background light
- Line buttons with memory light
- Buzzer indication of incoming calls
- Step volume control
- Call signal
- Wall mounting



Size (WxHxD): 300 x 160 x 156 mm
Weight: 1.4 kg

Additional Information: IP-66

3005020008

CU-10 CENTRAL UNIT FOR CTB-10, 24V DC, 3A, STANDARD

- Central unit 10 lines for the CTB system
- Operates with CTB-10 and CTB-10 W/V01 panel units
- AUX / Alarm input
- Output to Public Address system
- 24 VDC power supply



Size (WxHxD): 400 x 400 x 120 mm
Weight: 2.6 kg

Additional Information: IP-22

3005020010

CU-20 CENTRAL UNIT FOR CTB-20, 24V DC, 4 A, STANDARD

- Central unit 20 lines for the CTB system
- Operates with CTB-10 and CTB-10 W/V01 panel units
- AUX / Alarm input
- Output to Public Address system
- 24 VDC power supply



Size (WxHxD): 400 x 400 x 120 mm Weight: 2.6 kg

Additional Information: IP-22

3005020009

CU-100 CENTRAL UNIT FOR CTB-10, 24V DC, 3A, 100V OUTPUT W/ALARM MUTE

- Central unit 10 lines for the CTB-100V system
- Operates with CTB-10 and CTB-10 W/V01 panel units
- AUX / Alarm input
- Output to Public Address system
- 24 VDC power supply
- 100V line output
- High power amplification by use of external 100V power amplifier



Size (WxHxD): 400 x 400 x 120 mm Weight: 3.2 kg

Additional Information: IP-22

3005020011

CU-200 CENTRAL UNIT FOR CTB-20, 24V DC, 4 A, 100V OUTP. W/ALARM MUTE

- Central unit 20 lines for the CTB-100V system
- Operates with CTB-20 and CTB-20 W/V01 panel units
- AUX / Alarm input
- Output to Public Address system
- 24 VDC power supply
- 100V line output
- High power amplification by use of external 100V power amplifier



Size (WxHxD): 400 x 400 x 120 mm Weight: 3.2 kg

Additional Information: IP-22

MICROPHONES & ACCESSORIES



3005020033

MB-30G GOOSENECK MICROPHONE

- Electret microphone, 2K ohm
- 5-pin din plug
- For use in Public Address and Talk-Back systems



Size (Length): 460 mm Weight: 0.1 kg

Additional Information: IP-22

3005020029

ETC-1-TB HANDMIC W/5 PIN DIN PLUG

- Dynamic, 200 ohm
- Flexible cord with PTT switch
- Hang up clip
- For ETB and CTB central panels



Size (WxHxD): 58 x 102 x 47mm Weight: 0.2 kg

Additional Information: IP-22

3005020039

P-66 HAND MICROPHONE WITH PLUG, WT

- Weatherproof, salt water resistant handheld microphone
- Suitable for heavy-duty outdoor operation subject to noise disturbance
- Delivered with 2 meter flexible cable and plug
- For use in Public Address System and Talk-Back



Size (WxHxD): 54 x 82 x 55mm Weight: 0.3 kg

Additional Information: IP-54

3005020040

P-66/10 HAND MICROPHONE WITH PLUG AND 10M CABLE, WT

- Weatherproof, salt water resistant handheld microphone
- Suitable for heavy-duty outdoor operation subject to noise disturbance
- Delivered with 10 meter cable and plug
- For use in Public Address System and Talk-Back



Size (WxHxD): 54 x 82 x 55mm Weight: 0.6 kg

Additional Information: IP-54

3005020016

ECM-5 EXTENSION CORD 5 M FOR P-290, P-MT7, P-66

- Male and female plug in polyamid material with PG-13.5 cable inlet



Size (Length): 5m Weight: 0.3 kg

Additional Information: IP-66

3005020013

ECM-10 EXTENSION CORD 10 M FOR P-290, P-MT7, P-66

- Male and female plug in polyamid material with PG-13.5 cable inlet



Size (Length): 10m Weight: 0.5 kg

Additional Information: IP-66

3005020028

ETC-1-CH CHASSIS CONTACTD 5-PIN DIN FOR ETC-1-TB W/1M CABLE

- Prepared with screw terminals for connections



Size PCB (WxHxD) : 50 x 35 x 16mm
Weight: 0.1 kg

3005020065

WBOKS, WALL MOUNTED BOX FOR ETB-5, ETB-10, ETB-100 AND CTB-10/20



Size (WxHxD): 240 x 144 x 100mm Weight: 0.4 kg

Additional Information: IP-22

2990000032

CPM-SNT-120-5 POWER SUPPLY 100-240VAC/24VDC 5A

- Switch mode, regulated power
- 22.5 to 29.5 V DC (adjustable via potentiometer on front)
- Overload protected
- Short-circuit protected
- DIN mounting
- GL approved



Size (WxHxD): 40 x 130 x 125 mm Weight: 0.7 kg

Additional Information: Din rail mounting

3005020055

SPS-4 POWER SUPPLY 115/230V AC / 24V DC , 4A W/AUTOSWITCH

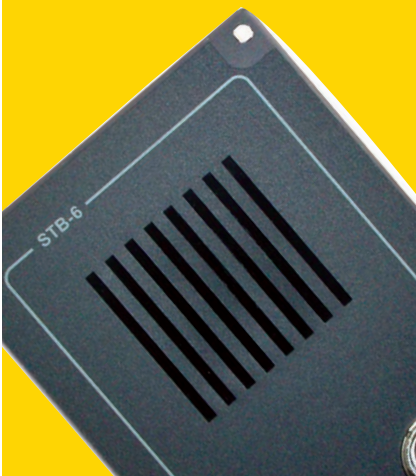
- Automatic switch to emergency 24 VDC when mains supply fails.
- Potential free relay contact for power failure



Size (WxHxD): 200 x 250 x 150 mm Weight: 4.1 kg

Additional Information: P-44

BRIDGEWING EQUIPMENT



3005020053

SB-4 PLUG BOX FOR HANDMIC, WT

- Watertight socket box
- For microphone (P-66 or P-66/10) or headset (P-MT7)
- Socket with dust cap
- Wall mounting



Size (WxHxD): 110 x 80 x 63 mm Weight: 0.3 kg

Additional Information: IP-66

3005020064

STBOKS FOR STB-6 AND STB-6GN WHEN WALL MOUNTED



Size (WxHxD): 144 x 96 x 47 mm Weight: 0.1 kg

Additional Information: IP-22

3005020062

STB-6 FLUSH MOUNTED SUBSTATION FOR MIC

- Substation for indoor use
- Parallel microphone / loudspeaker for ETB and CTB operator panels
- Wall mounting with back box
- Socket for handheld microphone ETC-1-TB



Size (WxHxD): 144 x 96 x 44,5 mm Weight: 0.35 kg

Additional Information: IP-22

3005020063

STB-6GN FLUSH MOUNTED SUBSTATION W/GOOSENECK

- Substation with gooseneck microphone for indoor use
- Parallel microphone / loudspeaker for ETB and CTB operator panels
- Flush or bulkhead mounting
- Wall mounting with back box



Size (WxHxD): 144 x 96 x 44,5 mm Weight: 0.85 kg

Additional Information: IP-22

SUBSTATIONS & ACCESSORIES



3005020057

STB-1 WALL MOUNTED INDOOR LOUDSPEAKER WITH CALL AND ANSWER BUTTON

- Talk-Back substation, designed for use in cabins, messrooms, etc.
- Call-button
- Privacy
- Talk-button



Size (WxHxD): 144 x 96 x 49 mm Weight: 0.35 kg

Additional Information: IP-22

3005020058

STB-2 CALLBOX WT WALL MOUNTED

- Call box
- Waterproof
- Call button
- Forming a loud speaking Talk-back Substation together with a horn loudspeaker (VML-1520)



Size (WxHxD): 110 x 80 x 63 mm Weight: 0.3 kg

Additional Information: IP-66

3005020059

STB-3 COMBINED CALL-PLUGBOX-SIGNAL RELAY (2A) UNIT WITHOUT LOUDSPEAKER

- Calling unit
- Waterproof
- Call-button
- Socket with dust-cap for connection of headset or microphone
- Built-in relay circuit for operation of external signalling devices
- Forming a loudspeaking Talk-Back substation together with a horn loudspeaker



Size (WxHxD): 224 x 80 x 63 mm Weight: 0.5 kg

Additional Information: IP-66

3005020050

P-MT7 HEADSET W/BOOM MIC. AND 10M CORD W/4-PIN C-16 PLUG

- Headset for Analog Telephone and Talk-back System
- Standard with 10 meter cable and plug
- To be used in noisy areas
- Includes headset holder



Weight: 1.2 kg

Additional Information: IP-54

3005020060

STB-5 FLUSH MOUNTED SUBSTATION W/RELAY, FOR MIC OR HANDSET

- Talk-Back substation, designed for multipurpose indoor use (engine room)
- Delivered for flush or bulkhead mounting
- Call button
- Built-in relay circuit for operating of external signalling devices.
- Loudspeaker
- Socket for handset or handheld microphone



Size (WxHxD): 144 x 144 x 57 mm Weight: 0.5 kg

Additional Information: IP-22

3005020030

ETC-STB5 HAND MICROPHONE WITH 4-PIN DIN PLUG

- Dynamic microphone, 200 ohm
- Flexible cord with PTT switch
- Hang up clip



Size (WxHxD): 58 x 102 x 47mm Weight: 0.2 kg

Additional Information: For STB-5 only.

3005020032

HAS-1 HANDSET FOR STB-5

- Handset with cradle
- Designed for use together with Talk-back substation STB-5



Size (WxHxD): 60 x 220 x 80mm Weight: 0.3 kg

3005020061

STB-5GN FLUSH MOUNTED SUBSTATION W/RELAY, W/ GOOSENECK

- Talk-Back substation, designed for multipurpose indoor use (engine room)
- Delivered for flush or bulkhead mounting
- Call button
- Built-in relay circuit for operating of external signalling devices.
- Loudspeaker
- Gooseneck microphone

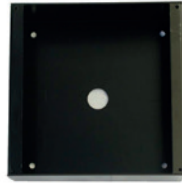


Size (WxHxD): 144 x 144 x 57 mm Weight: 0.9 kg

Additional Information: IP-22

3005010206

STBOKS5 FOR STB5 AND STB-5GN WHEN WALL MOUNTED



Size (WxHxD): 144 x 144 x 59 mm Weight: 0.2 kg

Additional Information: IP-22

3006206006

HE-112M OUTDOOR LOUDSPEAKER WITH CALL BUTTON

- Talk-Back Substation, for use in open deck areas
- Wall mounting
- Call-button



Size (WxHxD): 122 x 120 x 90 mm Weight: 0.4 kg

Additional Information: IP-66

1020600992

IRR-3 RELAY BOX 24V DC OR 220V AC - SIGNAL UNIT WT

- Separate relay unit for operation of 24 VDC or 220 visible and/or audible signal units.
- Wall mounting



Size (WxHxD): 110 x 80 x 63 mm Weight: 0,35 kg

Additional Information: IP-66

3006206007

HE-112M-T LOUDSPEAKER, WT, 100V

- Talk-Back Substation, for use in open deck areas
- Wall mounting
- Call-button



Size (WxHxD): 122 x 120 x 90 mm Weight: 0.6 kg

Additional Information: IP-66

3006206029

U2410 FOOT SWITCH INDOOR USE

- Foot switch for ETB and CTB systems
- 1-Pole switch 250 VAC 6A



Size (WxHxD): 101 x 198 x 40 mm Weight: 0,2 kg

Additional Information: IP-22

3006206030

VH-10M PORTABLE HORN SPEAKER WITH CALLBOX AND 10M CABLE+PLUG WT

- Talk-back Substation, for use in open deck areas
- Call-button
- Also for wall mounting
- Plugbox CD-2 needed



Size (WxHxD): 156 x 410 x 305 mm Weight: 3.7 kg

Additional Information: IP-66
3006206032 VH-10M-T (100V version)

3006206034

VHM-10 SPECIAL DECK UNIT WITH HANDMIC MOUNTED IN WT CABINET

- Talk-back Substation for use in open deck areas
- Wall mounting
- Call-button
- Handheld microphone
- Prepared for external loudspeaker



Size (WxHxD): 215 x 310 x 160 mm Weight: 2.5 kg

Additional Information: IP-66
3006206035 VHM-10-T (100V version)

1020600989

CD-2 PLUGBOX WT - IP-66

- For portable unit VH-10M
- Wall mounting.



Size (WxHxD): 80 x 110 x 63 mm Weight: 0.35 kg

Additional Information: For VH-10M & VH-10M-T

3006100088

VML-1520 HORN SPEAKER 15W/20 OHM WT

- General purpose 15 Watt 20 ohm horn loudspeaker
- For use in deck areas, engine room etc.
- To be used together with ACM or talk-back stations
- 2,5 Mtr. cable



Size (WxHxD): 250 x 145 x 270 mm Weight: 1.35 kg

Additional Information: IP-67
Optional junction box JB-15T

3006100090

VML-15T/F HORN LOUDSPEAKER 15W 100V W/FUSE, 2 MTR.CABLE

- General purpose 15 Watt horn loudspeaker
- For use in deck areas, engine room etc.
- With 100V line transformer
- Adjustable power tapping
- With Fuse



Size (WxHxD): 250 x 145 x 298 mm Weight: 1.9 kg

Additional Information: IP-67
Optional junction box JB-15T

3006206015

CALL BOX EX GHG 411 ATEX W/ IMPULS BUTTON & 2X GLANDS

- Explosion proof calling box for hazardous areas
- Delivered for bulkhead mounting
- Call-button for calling Master unit
- To be used together with EX horn speaker DSP-15EExeNT or DSP-15EExeN



Size (WxHxD): 85 x 85 x 78 mm Weight: 0.35 kg

Additional Information: IP-65

2340020010

DSP-15EEXMN W/ SST BRACKET EX SPEAKER 20 OHM 15W W/ 2X GLANDS ATEX

- Rated / max. power 25w / 25w
- Material: antistatic PA / Black
- Bracket and all outside nuts and screws in stainless steel
- Zone 1



Size (WxHxD): 170 x 144 x 207 mm Weight: 2 kg

Additional Information: 09ATEX1322X
IP Rating IP-67

2340020011

DSP-15EEXMNT W/ SST BRACKET EX SPEAKER 15W W/ 2X GLANDS ATEX

- With 100V line transformer
- Rated / max. power 25w / 25w
- Tappings; 1,5W-2,5W-5,0W-6,5W-15W-25W
- Material: antistatic PA / Black
- Bracket and all outside nuts and screws in stainless steel
- Zone 1



Size (WxHxD): 170 x 144 x 207 mm Weight: 2.2 kg

Additional Information: 09ATEX1322X
IP Rating IP-67

AMPLIFIERS



3005010235

VPA-120 POWER AMPLIFIER, 120W

- Power amplifier in a 19" rack cabinet
- 100 V and 8 ohm output
- Dual inputs with priority switching
- Temperature controlled, forced back-to-front ventilation
- 115/230 VAC mains and 24 VDC battery backup
- Power consumption at 0dB 24V DC 7,5 A
- Power consumption at 0dB 230V AC 1.7 A
- Pilot tone line monitoring
- 24 VDC / 800 mA power output for external equipment
- Chime signal with on/off switch



Size (WxHxD): 482 x 133 x 420 mm Weight: 18.2 kg

Additional Information:

Tested according to IEC 60945, IACS E10, IEC 60533

3005010237

VPA-240 POWER AMPLIFIER, 240W

- Power amplifier in a 19" rack cabinet
- 100 V and 8 ohm output
- Dual inputs with priority switching
- Temperature controlled, forced back-to-front ventilation
- 115/230 VAC mains and 24 VDC battery backup
- Power consumption at 0dB 24V DC 15,4 A
- Power consumption at 0dB 230V AC 3.1 A
- Pilot tone line monitoring
- 24 VDC / 800 mA power output for external equipment
- Chime signal with on/off switch



Size (WxHxD): 482 x 133 x 420 mm Weight: 21.2 kg

Additional Information:

Tested according to IEC 60945, IACS E10, IEC 60533

3006206019

RS-3C RACK 3HU, TERMINALS F/230VAC/24VDC IN/OUT

- 19", 3U cabinet prepared for amplifier
- Prepared with necessary terminals for signal in/out and power supply



Size (WxHxD): 520 x 450 x 180mm Weight: 6.0 kg

Additional Information:

3005010239

VPA-400 POWER AMPLIFIER, 400W

- Power amplifier in a 19" rack cabinet
- 100 V and 8 ohm output
- Dual inputs with priority switching
- Temperature controlled, forced back-to-front ventilation
- 115/230 VAC mains and 24 VDC battery backup
- Power consumption at 0dB 24V DC 28,0 A
- Power consumption at 0dB 230V AC 5.4 A
- Pilot tone line monitoring
- 24 VDC / 800 mA power output for external equipment
- Chime signal with on/off switch



Size (WxHxD): 482 x 133 x 420 mm Weight: 24.2 kg

Additional Information:

Tested according to IEC 60945, IACS E10, IEC 60533

MANUALS & SPARES

A100K11162

ETB-5-10-100 Installation & Operation Manual

A100K11163

ETB-5-10-100 User Guide

A100K10865

CTB Installation & User Manual

A100K10864

CTB-100 Installation & User Manual

3005020024

Standard set of Spares for ETB-5/10/100

3005020024

Standard set of Spares For CTB-10/20 and CU-10/20/100/200

www.zenitel.com

DOC NO

A100K11296

29.01.2016

sales@zenitel.com

Zenitel and its subsidiaries assume no responsibility for any errors that may appear in this publication, or for damages arising from the information therein. Vingtor-Stentofon products are developed and marketed by Zenitel. The company's Quality Assurance System is certified to meet the requirements in NS-EN ISO 9001. Zenitel reserves the right to modify designs and alter specifications without notice. ZENITEL PROPRIETARY. This document and its supplementing elements, contain Zenitel or third party information which is proprietary and confidential. Any disclosure, copying, distribution or use is prohibited, if not otherwise explicitly agreed in writing with Zenitel. Any authorized reproduction, in part or in whole, must include this legend. Zenitel – All rights reserved.