

Lilley & Gillie MK2002 Magnetic Compass Outfit Options

Mk 2002 Standard Scope of Supply Schedules

Schedule	Scope of Supply	FW9860 Binnacle	FW9859 Compass	FW9630 LED Assembly	FW9070 Mirror	FW9853 Peri- scope	FW9863 C/Unit	FW9856 (PAIR) QC's	FW9870 Magnet plate	FW9857 Flinders	WD1196 Internal Dimmer
SCH120		Y	Y	Y							
SCH121	Mirror	Y	Y	Y	Y						
SCH122	Periscope	Y	Y	Y		Y					
SCH123	C/Unit	Y	Y	Y			Y				
SCH124	Mirror, C/Unit	Y	Y	Y	Y		Y				
SCH125	Periscope, C/Unit	Y	Y	Y		Y	Y				
SCH126	QC's	Y	Y	Y				Y			
SCH127	Mirror, QC's	Y	Y	Y	Y			Y			
SCH128	Periscope, QC's	Y	Y	Y		Y		Y			
SCH129	Magnet Plate	Y	Y	Y					Y		
SCH130	Mirror, Magnet Plate	Y	Y	Y	Y				Y		
SCH131	Periscope, Magnet Plate	Y	Y	Y		Y			Y		
SCH132	C/Unit, QC's	Y	Y	Y			Y	Y			
SCH133	Mirror, C/Unit, QC's	Y	Y	Y	Y		Y	Y			
SCH134	Periscope, C/Unit, QC's	Y	Y	Y		Y	Y	Y			
SCH135	C/Unit, Magnet Plate	Y	Y	Y			Y		Y		
SCH136	Mirror, C/Unit, Magnet Plate	Y	Y	Y	Y		Y		Y		
SCH137	Periscope, C/Unit, Magnet Plate	Y	Y	Y		Y	Y		Y		
SCH138	QC's, Magnet Plate	Y	Y	Y				Y	Y		
SCH139	Mirror, QC's, Magnet Plate	Y	Y	Y	Y			Y	Y		
SCH140	Periscope, QC's, Magnet Plate	Y	Y	Y		Y		Y	Y		
SCH141	C/Unit, QC's, Magnet Plate	Y	Y	Y			Y	Y	Y		
SCH142	Mirror, C/Unit, QC's, Magnet Plate	Y	Y	Y	Y		Y	Y	Y		
SCH143	Periscope, C/Unit, QC's, Magnet Plate	Y	Y	Y		Y	Y	Y	Y		
SCH144	C/Unit, QC's, Magnet Plate, Flinders, Int. Dimmer	Y	Y	Y			Y	Y	Y	Y	Y
SCH145	Mirror, C/Unit, QC's, Magnet Plate, Flinders, Int Dimmer	Y	Y	Y	Y		Y	Y	Y	Y	Y
SCH146	Periscope, C/Unit, QC's, Magnet Plate, Flinders, Int Dimmer	Y	Y	Y		Y	Y	Y	Y	Y	Y



Manufacturer of magnetic compasses, TMC's and nautical instruments. Adjusting, testing and repair of magnetic compasses by certificated compass adjusters.



Manufacture of military grade instrumentation systems for naval and paramilitary vessels.



International Admiralty Chart Agent Supply and updating services for BA, US, Primar and numerous other publishers' charts, publications and books including electronic charts (Raster and S57) and digitised products.



UK sales and service of Yokogawa gyros, autopilots and logs.



Distribution of lighting products including navigation lights, navigation light switch panels and searchlights.



UK sales of specialised Avecs software including emergency control, planned maintenance, quality document management and others.



Manufacture of type approved navigation and data instrumentation for commercial vessels.



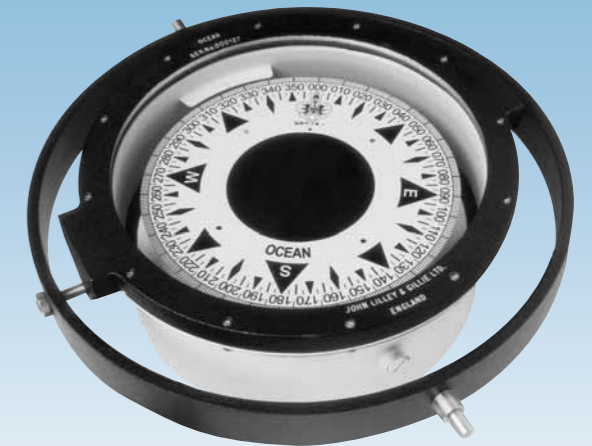
ECDIS and electronic chart systems

John Lilley & Gillie Ltd.,
Clive Street, North Shields, Tyne & Wear. NE29 6LF. England.
Tel: +44(0)191 257 2217
Fax: +44(0)191 257 1521 Telex:53600
E-Mail: sales@lilleyandgillie.co.uk
Web: www.lilleyandgillie.co.uk

LILLEY & GILLIE
Directing International Shipping since 1812



Type approved to the European Marine Equipment Directive (MED) and other Maritime Authorities



Mk2002 Magnetic Compass Outfit

For Commercial Vessels under 150grt, Fishing Vessels and Workboats under 35 metres

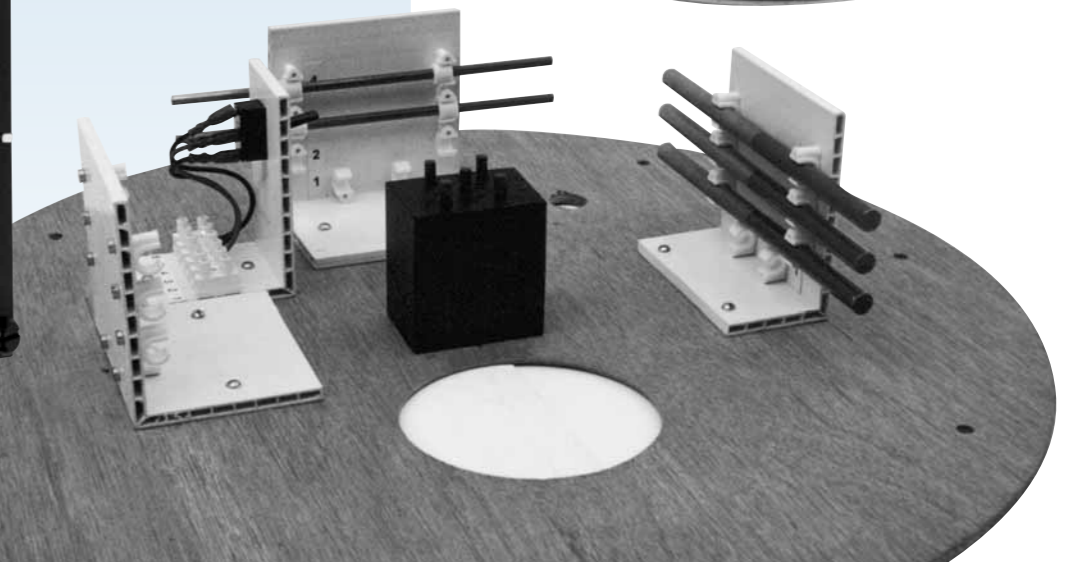


LILLEY & GILLIE
Directing International Shipping since 1812

Suitable for use with Lilley & Gillie transmitting magnetic compass (TMC) equipment including repeaters, off-course alarms and outputs to other navigation equipment including gyro back up.

Compass Design Features

- Modular design
- Correction facilities to suit different types and sizes of vessels
- LED lighting 24vDC
- Significant weight reduction



Mk 2002 Magnetic Compass Outfit Options

Viewing Method FW9853 Periscope provides the best image, but with narrower viewing angle. Recommended if there is considerable manual steering by the helmsman.

FW9070 Mirror, wider viewing angle, lowest cost option.

Electronic Repeater with TMC, recommended when the binnacle cannot be placed in a magnetically stable position above the helmsman's position. Additional benefit of requiring only a cable gland through the deck for simpler installation and improved watertightness to the wheelhouse.

Lighting Control FW9863 Lighting Control Unit has inputs of 220 or 110V AC and 24V DC and outputs 24V DC to the two LED's fitted to the compass. This provides the main and emergency illumination with two level dimmer control. An alternative to the FW9863, acceptable to some administrations, is to connect a switched 24V DC supply directly to the LED cable.

Quadrantal Correctors FW9856 (Pair). These are required on vessels with a steel hull.

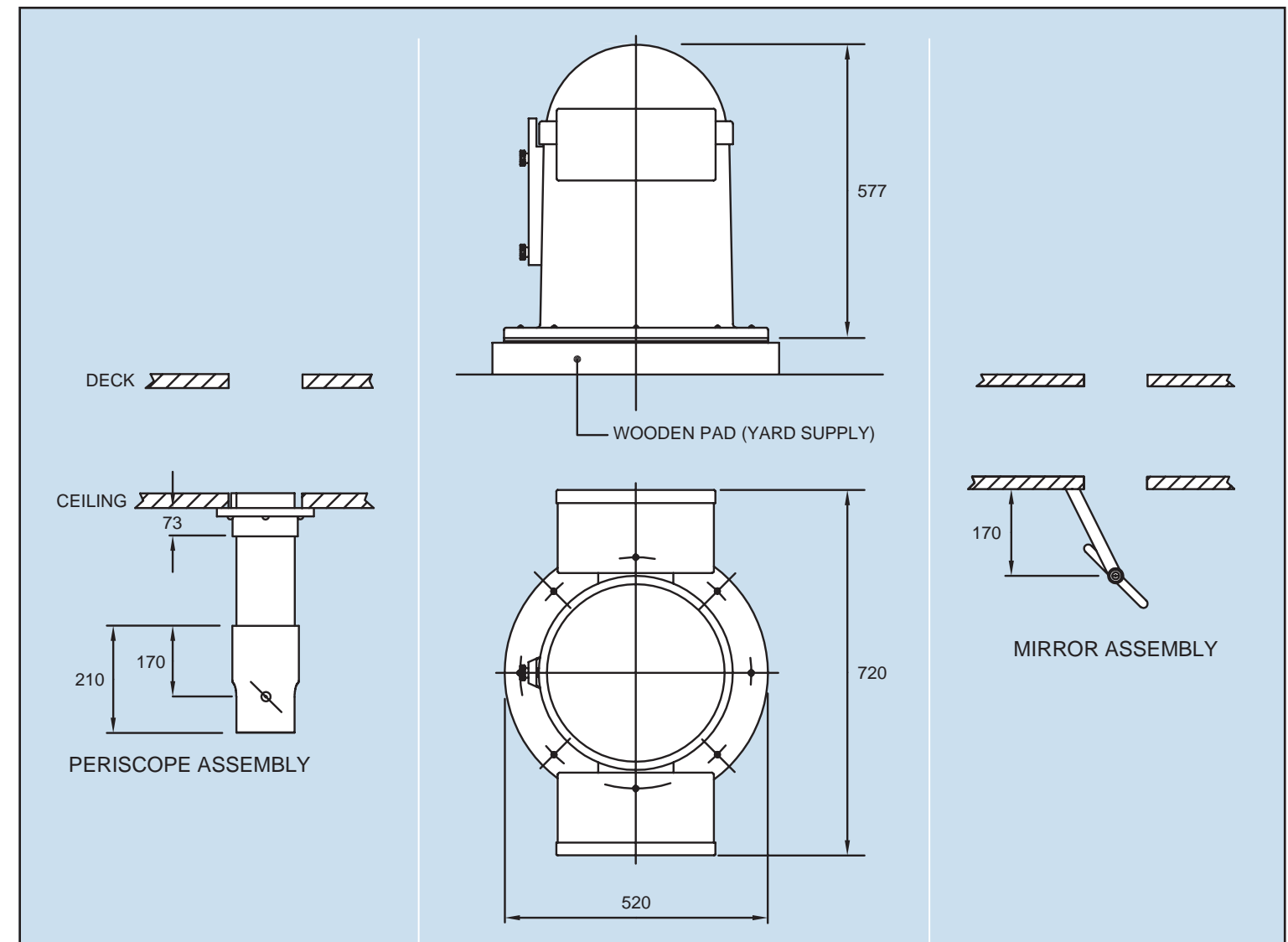
Magnet Plate Assembly FW9870. All vessels require B, C and H correction. This assembly is installed between the deck and the binnacle and, as well as providing a convenient method of fixing the magnets, ensures that they meet the ISO 2269 requirements.

Internal Dimmer WD1196, an optional fitting on the FW9870 Magnet Plate and only operable in conjunction with the FW9863 Lighting Control Unit. It enables the illumination dimmer to be controlled from the binnacle position.

Flinders FW9857, required if the vessel is trading in different latitudes.

Pelorus A Pelorus with bridge wing brackets is available for those vessels which are required to meet the SOLAS requirement to take bearings.

Cover W1605 Cover, made of Grey flexible PVC is available for additional protection. Particularly recommended for vessels likely to ship water over the wheelhouse.



The compass outfit is available in Reflector and Non-Reflector versions with the following features.

Material
Reinforced glassfibre binnacle.

Correction
A full set of compensating magnets for B, C and H plus adequate quadrantal corrector and flinders plates.

Periscope
Telescopic with a maximum vertical length of 1.3m (2m if an optional lens is fitted to the binnacle).

Fixings
Rubber base gasket and eight brass woodscrews with washers.

Compass
FW9859, Lilley & Gillie 'OCEAN', Class A, 175mm Reflector Card.

Weights
Binnacle and hood and gasket 5.9kg
FW9853 Periscope 3.0kg
FW9070 Mirror 1.2kg
FW9859 Compass 8.0kg

FW9863 Control Unit 0.62kg
FW9870 Magnet Plate 2.0kg
FW9856 Q.C.'s (Pair) 6.5kg
FW9857 Flinders 0.5kg

Colour
Binnacle, Dark Admiralty Grey. (Others available)
Periscope Assembly, Black.
Lighting Control Unit, Black with white lettering.