

FB250

INMARSAT FLEETBROADBAND Maritime Antenna System



FEATURES

MARITIME TERMINAL FOR INMARSAT FLEETBROADBAND SERVICE

Intellian FB250 is the perfect companion to Inmarsat's FleetBroadband service which enables simultaneous voice and data connectivity up to 284 Kbps. Intellian FB250 ensures resilient and reliable connectivity in the sea.

BEST IN-CLASS FEATURES

The FB250 offers a variety of features such as analog voice lines, a built-in firewall, 3G/LTE WAN port, and soft PABX. These technical capabilities and GMDSS readiness makes it ideal for vessel operations, safety and crew welfare services. Its easy installation and simple configuration, combined with Intellian's ability to ship from global logistic centers provides a lower cost of shipment and installation for customers and increased flexibility.

INTELLIAN COMPLETE FX SOLUTION

Fleet Xpress is Inmarsat's transformational service, delivering a new level of high-speed performance across the world's oceans. Fleet Xpress combines the high data speeds of Global Xpress (Ka-band) with the proven reliability of FleetBroadband (L-band network ELERA) to offer unrivaled speed, continuous connectivity, and guaranteed performance for true global mobility. Intellian's GX product line up including the GX100NX and GX60NX.

SYSTEM HIGHLIGHTS

- ◆ Inmarsat FleetBroadband terminal
- ◆ Simultaneous voice and data
- ◆ Built-in firewall for data security
- ◆ Safety - 505 emergency calling
- ◆ Safety - maritime safety terminal support
- ◆ Built-in AptusLX intuitive management tool
- ◆ 4 LAN ports with PoE
- ◆ Configurable WAN port to connect an external cellular modem or VSAT.

FB250	CODE
Standard	F4-A250-S
Rack Type	F4-A250-R

Standard	ADU, BDU, Coaxial Cable, Quick Installation Guide, Installation Template, DC Power Cable, Ethernet Cable
Rack Type (option)	AC/DC Power Adaptor, Rack Conversion Bracket

FB250

TECHNICAL SPECIFICATIONS

PHYSICAL

ADU Dimensions	291.1 x 294.5 mm / 11.5" x 11.6"
ADU Weight	4.9 kg / 10.8 lb
BDU Dimensions	280 x 190 x 41 mm / 11.0" x 7.5" x 1.45"
BDU Weight	1.2 kg / 2.6 lb

POWER

DC Input	10.8 ~ 30 V DC
Power (max)	120 W

RF / ANTENNA

Tx Frequency	1626.5 MHz ~ 1675.0 MHz
Rx Frequency	1518.0 MHz ~ 1559.0 MHz
G/T	> -15.5 dB/K
Antenna Connectors	TNC male (ADU) – TNC male (BDU)
Wi-Fi	802.11 b/g

I/O

LAN	3x RJ45 (2x PoE)
WAN	1x RJ45 (Configurable LAN/WAN)
Analog Phone	1x RJ14 (2x Analog Phone)
Wireless	1x Wi-Fi (SMA RP)
General Purpose I/O	10 Pin GPIO

ENVIRONMENTAL CONDITIONS

Operating Temperature	ADU: -25°C ~ + 55°C BDU: -15°C ~ + 55°C
Operating Humidity	> 95% non-condensing at +40°C
Water Ingress	ADU: IP56 BDU: IP31

INMARSAT SERVICES

Voice	1x Voice line (up to 6 voice lines with Inmarsat multi voice service)
Standard IP	Up to 284 Kbps
Streaming IP	8, 16, 32, 64, 128 Kbps
SMS	Up to 160 characters

Global HQ

Innovation Center
Intellian Technologies, Inc
T +82 31 379 1000
sales@intelliantech.com

APAC

Seoul
Intellian Technologies, Inc.
T +82 2 511 2244

Americas

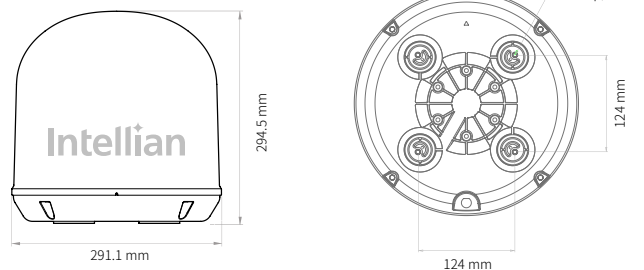
Irvine
Intellian Technologies USA, Inc.
T +1 949 727 4498 Toll Free +1 888-201-9223

EMEA

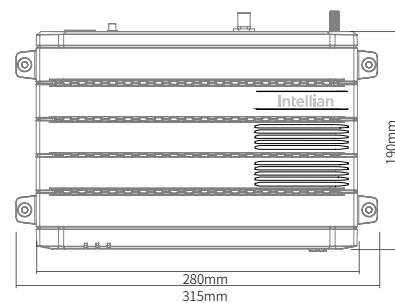
Rotterdam
Intellian B.V.
T +31 1 0820 8655

SYSTEM DIMENSION

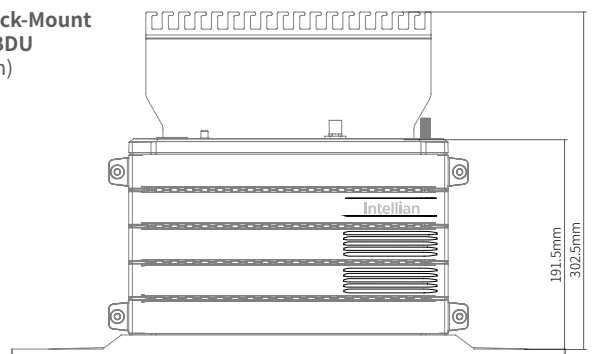
ADU



Stand-Alone Type BDU



19" Rack-Mount Type BDU (option)



SYSTEM DIAGRAM

