

NSR

GMDSS

NTW-1000

PORTABLE TWO-WAY RADIOTELEPHONE



NTW-1000 TWO-WAY RADIOTELEPHONE

NTW-1000 TWO WAY RADIOTELEPHONE (GMDSS)

- Designed to meet GMDSS requirements related with performance standards for survival craft two-way VHF radiotelephone apparatus, such as IMO M.149(77) [2003] and IEC 61097-12.
- Compact, lightweight and rugged construction.
- Easy operation, even for unskilled personnel.
- Full marine-use VHF channels.

SPECIFICATIONS

● TECHNICAL SPECIFICATIONS

Frequency Range: 156.025~162.975 MHz
Operating channels: 19 channels (default)
Operating Hours: ≥ 8 hours (TX10%, RX10%, Standby80%)

● BATTERY REQUIREMENTS

Battery Voltage: DC7.2V
Storage Temp: $-30^{\circ}\text{C} \sim +70^{\circ}\text{C}$
Storage Time: 4 years

● DIMENSION & WEIGHT

Dimension: 256(H)X51.4(W)X46.2(D) mm
Weight: abt 400g
(transceiver+emergency battery)

EQUIPMENT LIST

STANDARD:

- TRANSCEIVER 1 set
- Emergency Battery 1 pc
- Belt Clip 1 pc
- Wrist Rope 1 pc

OPTIONS:

- Rechargeable Battery 1 pc
- Charger 1 set
- AC/DC Adaptor 1 set



Battery
Emergency / Rechargeable



Wrist Rope



Belt Clip

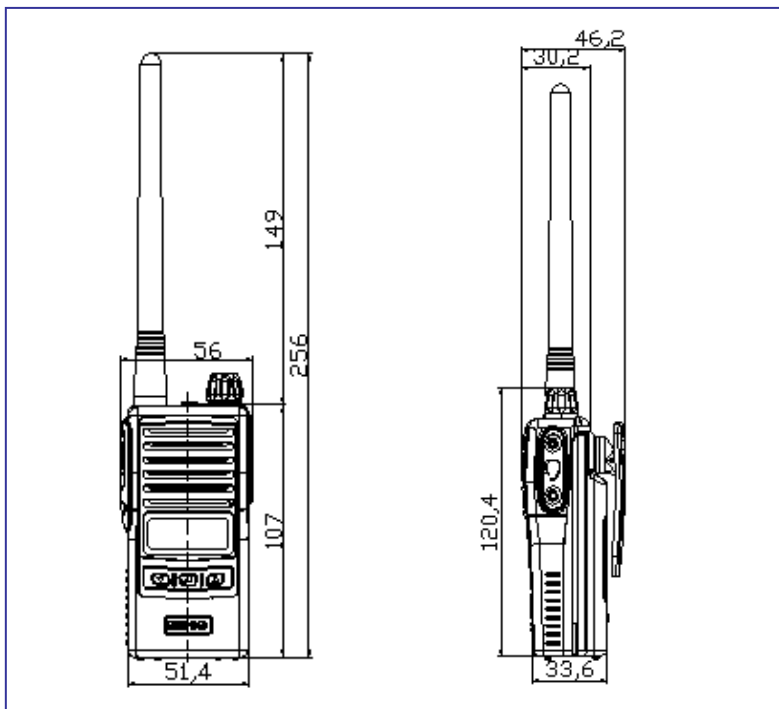


Battery Charger



AC/DC Adaptor

SIZE DIMENSION



Manufacturer:

NSR

NEW SUNRISE CO., LTD.
www.nsrmarine.com



Distributor:

※Specifications subject to change without notice.